

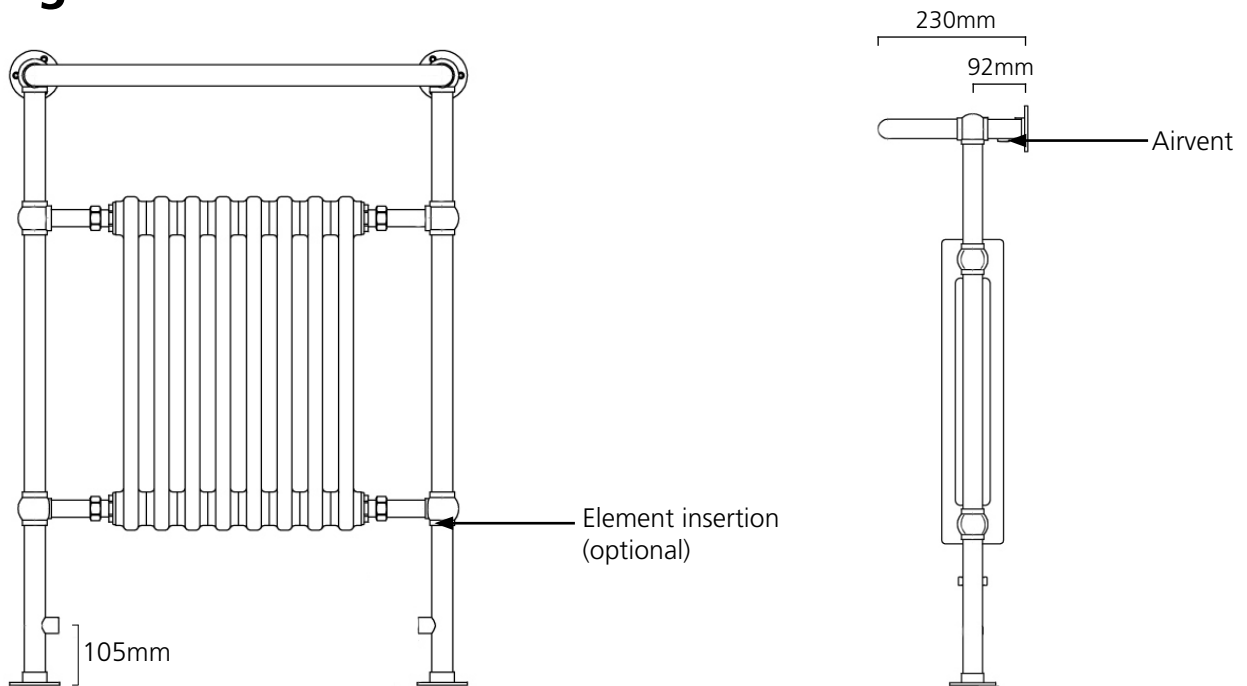
BOLEYN Floor Standing Fitting Instructions



Classic Towel Rail with a Steel 3 Column Radiator

Please read these instructions and terms and conditions carefully prior to installation. Failure to do so may invalidate the warranty.

Drawings



Pipe Centres

Pipe centres left to right	=	width less 145mm less valves
Pipe centres from wall	=	92mm
Depth from wall	=	230mm

1. Unpack & Inspect

This product should have reached you in perfect condition. Please carefully unpack and inspect this radiator and all fittings. Your point of purchase must be notified of any shortages or damage within 28 days of delivery. For further information please see terms and conditions on reverse.

2. Contents

You should have:

- 1 Towel Rail
- 12 Fixing Screws
- Electric Element (if ordered)

You will need:

- Tape Measure
- Electric Drill and bits
- Spirit level
- Air vent key
- Appropriate wall fixings
- Spanners for air vents and valves

3. Installing Towel Rail

Boleyn Towel Rails are supplied with 2 wall and 2 floor brackets which are integral elements of the Towel Rail. Each bracket has 3 screw fixing points.

4. Fix Brackets

1. Place the Towel Rail in its final position against the wall and mark the location of the 6 wall screw holes and the 6 floor fixing points.
2. Remove the Towel Rail and using appropriate drill bits drill the 12 screw holes and check they are level and insert appropriate wall / floor plugs
3. Re-position the Towel Rail and secure with the appropriate screws

5. Commission Towel Rail

When commissioning your Towel Rail on an indirect/closed system we recommend using a suitable mixed metal inhibitor to protect against scale & corrosion. **Damage caused to systems not protected by a suitable inhibitor will not be covered by manufacturer's guarantee.**

6. Optional Electrical Element

If you have chosen to add an electric element to your Towel Rail please note the access point can be found on the right hand side on the first joint up from the floor.

Prior to fitting the Towel Rail or with the Towel Rail drained down use a large flat head screw driver to remove the blanking plug, carefully insert the element and tighten.

The element should be wired and installed according to its instructions and be carried out by a competent Part P registered electrician and must follow appropriate legislation governing electrical installations.

Technical Specifications

Materials	Steel.
Connections	½" flow and return.
Test pressure	9 Bar
Testing authority	EN442
Maximum operating pressure	3 Bar
Maximum working temperature	80°C
Packaging	Polythene inserts packed into a double walled cardboard box.

PLEASE NOTE: Systems using micro bore pipework must have adequate pressure and flow rates for the number and style of radiators on the system.

Guarantees & Liabilities

This product is guaranteed for 10 years. As we are not the manufacturers of this product we will take all reasonable endeavours to make over to you the benefit of any warranty or guarantee given by the manufacturer.

The guarantees in all cases are subject to the products being installed in accordance with British and or European standards as well as these fitting instructions. The guarantees in all cases are restricted to the free of charge replacement or repair of the failed product only. Our liability will under no circumstances extend beyond the repair or replacement of the product supplied by us. Claims for either labour in replacement or damage to property are not admissible. Any goods that are returned, in the event of a problem, will belong to us.

Terms & Conditions

All products must be inspected once removed from the packaging and your point of purchase notified within 28 days of delivery of any scratches, blemishes or other damage. Your point of purchase will then agree appropriate action. Imperfect radiators should therefore not be fitted and we will not accept responsibility for replacement of scratched or damaged radiators once they have been fitted. This includes any consequential loss or cost of fitting.

If we are not notified within 28 days of the date on the signed delivery note then it will be deemed that we have fully complied with our obligations and claims will not be considered. Failure to comply with any of the above may invalidate any claims. We recommend that after you check the product on delivery that it is stored in its packaging to prevent damage prior to installation, we cannot accept responsibility for items damaged after delivery.

For full details of our Terms and Conditions please visit www.radiatorsdirect.co.uk or call us on 01342 305555.

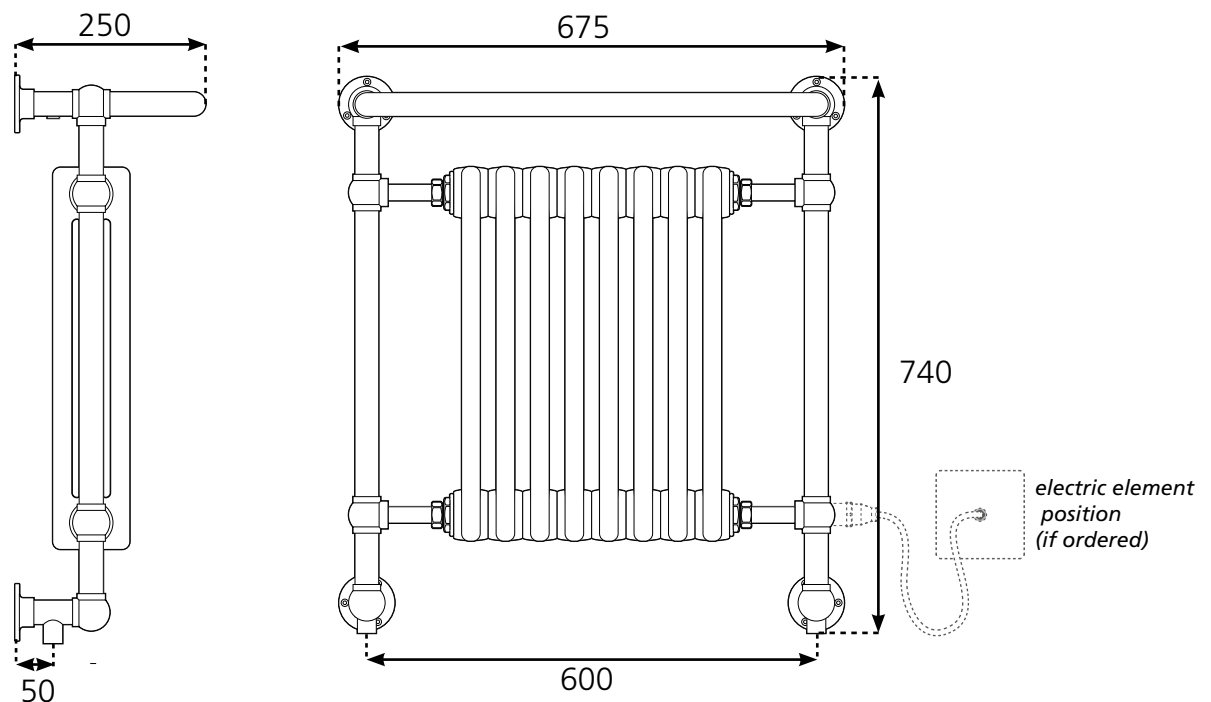
BOLEYN Wall Hung Fitting Instructions

Classic Towel Rail with a Steel 3 Column Radiator



Please read these instructions and terms and conditions carefully prior to installation. Failure to do so may invalidate the warranty.

Drawings



Pipe Centres

Pipe centres left to right	=	600mm / width minus 75mm
Pipe centres from wall	=	50mm
Depth from wall	=	250mm

1. Unpack & Inspect

This product should have reached you in perfect condition. Please carefully unpack and inspect this radiator and all fittings. Your point of purchase must be notified of any shortages or damage within 28 days of delivery. For further information please see terms and conditions on reverse.

2. Contents

You should have:

- 1 Towel Rail
- 12 Fixing Screws
- Electric Element (if ordered)

You will need:

- Tape Measure
- Electric Drill and bits
- Spirit level
- Air vent key
- Appropriate wall fixings
- Spanners for air vents and valves

3. Hanging Towel Rail

The Boleyn Wall Hung has 4 brackets, each with three fixing holes. These brackets are fixed to the radiator.

1. Place the Towel Rail in its final position against the wall and mark the location of the 6 wall screw holes for the top 2 brackets.
2. Remove the Towel Rail and check the markings are horizontally level. Then using suitable drill bits and fixings, fix suitable wall plugs into the wall on the markings.
3. Lift up the radiator to check the bracket holes line up with the wall plugs., and mark through the fixing holes for the bottom two brackets.

4. Using suitable drills bits and fixings, fix suitable wall plugs to the bottom bracket markings.

5. Offer up the radiator and first fix the top two brackets with suitable screws and repeat for the bottom.

4. Commission Towel Rail

When commissioning your Towel Rail on an indirect/closed system we recommend using a suitable mixed metal inhibitor to protect against scale & corrosion. **Damage caused to systems not protected by a suitable inhibitor will not be covered by manufacturer's guarantee.**

5. Optional Electrical Element

If you have chosen to add an electric element to your Towel Rail please note the access point can be found on the bottom right. Refer to drawings overleaf.

Prior to fitting the Towel Rail or with the Towel Rail drained down use a large flat head screw driver to remove the blanking plug, carefully insert the element and tighten.

The element should be wired and installed according to its instructions and be carried out by a competent Part P registered electrician and must follow appropriate legislation governing electrical installations.

Electrical element has a guarantee of 2 years.

Technical Specifications

Materials	Steel.
Connections	½" flow and return.
Test pressure	9 Bar
Testing authority	EN442
Maximum operating pressure	3 Bar
Maximum working temperature	80°C
Packaging	Polythene inserts packed into a double walled cardboard box.

PLEASE NOTE: Systems using micro bore pipework must have adequate pressure and flow rates for the number and style of radiators on the system.

Guarantees & Liabilities

This product is guaranteed for 10 years. As we are not the manufacturers of this product we will take all reasonable endeavours to make over to you the benefit of any warranty or guarantee given by the manufacturer.

The guarantees in all cases are subject to the products being installed in accordance with British and or European standards as well as these fitting instructions. The guarantees in all cases are restricted to the free of charge replacement or repair of the failed product only. Our liability will under no circumstances extend beyond the repair or replacement of the product supplied by us. Claims for either labour in replacement or damage to property are not admissible. Any goods that are returned, in the event of a problem, will belong to us.

Terms & Conditions

All products must be inspected once removed from the packaging and your point of purchase notified within 28 days of delivery of any scratches, blemishes or other damage. Your point of purchase will then agree appropriate action. Imperfect radiators should therefore not be fitted and we will not accept responsibility for replacement of scratched or damaged radiators once they have been fitted. This includes any consequential loss or cost of fitting.

If we are not notified within 28 days of the date on the signed delivery note then it will be deemed that we have fully complied with our obligations and claims will not be considered.

Failure to comply with any of the above may invalidate any claims. We recommend that after you check the product on delivery that it is stored in its packaging to prevent damage prior to installation, we cannot accept responsibility for items damaged after delivery.

For full details of our Terms and Conditions please visit www.radiatorsdirect.co.uk or call us on 01342 305555.